

# RO VER AS15

NC PROCESSING CENTRE



# THE FIRST INVESTMENT FOR GREAT GROWTH



## THE MARKET EXPECTS

a change in manufacturing processes which enables companies to **accept the largest possible number of orders**. This is coupled with the need to maintain high quality standards whilst offering product customisation with quick and defined delivery times, as well as responding to the needs of highly creative designers.

## BIESSE RESPONDS

with **technological solutions** that influence and support technical expertise as well as process and material knowledge. **Rover AS 15** is the new NC processing centre offering top performance and flexibility. It's designed for the customer who wants to invest in a product that can process any type of element quickly and economically.



## **ROVER** AS 15

- ✓ PERSONALISATION TO SUIT A WIDE VARIETY OF PRODUCTION NEEDS
- ✓ ERGONOMIC, COMPACT AND ROBUST
- ✓ PRECISE AND RELIABLE OVER TIME
- ✓ SAFE AND ERGONOMIC FOR THE OPERATOR

# ERGONOMIC, COMPACT AND ROBUST

Rover AS 15 is designed to offer maximum performance in an extremely compact solution with the minimum working dimensions.



**360°**

An extremely compact machining centre designed to adapt to the production space in which it is installed. Enables the operator to safely access all sides of the machine at all times, with no obstacles on the ground.





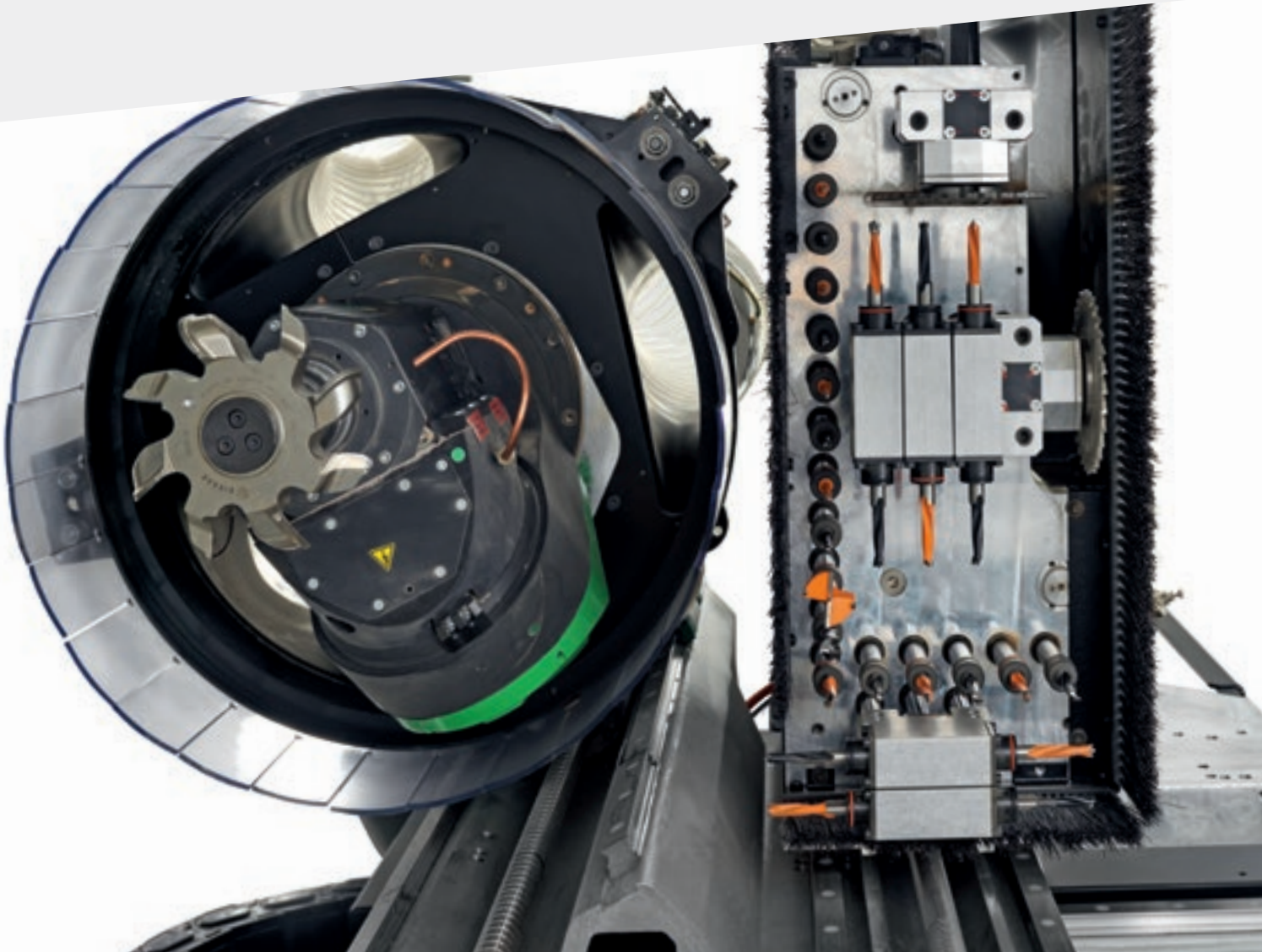
# PERSONALISATION TO SUIT A WIDE VARIETY OF PRODUCTION NEEDS

Rover AS 15 is ideal for the production of any element such as windows, doors, stairs, work-tops, furnishing items and much more besides.



The continuous rotation of the B and C axes (made possible by the technologically advanced components) guarantees the maximum machining speed and optimum finished product quality.

# TOP-OF-THE-RANGE COMPONENTS



The new BHZ 29 2L boring head is equipped with automatic lubrication. It's liquid-cooled for maximum precision.



Automatic lubrication boring head BHZ 29 2L.

Electrospindles and boring heads are designed and manufactured for Biesse by HSD, the global leader in the mechatronics sector.

# HIGH PRECISION AND RELIABILITY OVER TIME



The Rover AS 15 with gantry structure is designed to withstand high levels of machining strain, guaranteeing the quality of the end product.



The Biesse work table is guaranteed to hold the work piece securely in place and ensures quick and easy tool changeover.



Uniclamp clamps with pneumatic system.

## DIFFERENT WORK TABLES AVAILABLE ACCORDING TO DIFFERENT NEEDS



**ATS (Advanced Table-Setting System)**  
for the quick and easy manual positioning of the clamping systems.



**SA (Set Up Assistance)**  
for the quick, easy and controlled manual positioning of the clamping systems. The linear sensors in the work table, along with the collision control function, reduce the risk of collisions.



## SIMPLE AND FAST CHANGEOVER WORK TABLE



**Easy Zone**  
supplementary vacuum system for the quick and easy clamping of several elements on the machine.

## REDUCED TOOL CHANGEOVER TIME



**Rack tool magazine** with 12 places, with integrated pick-up.



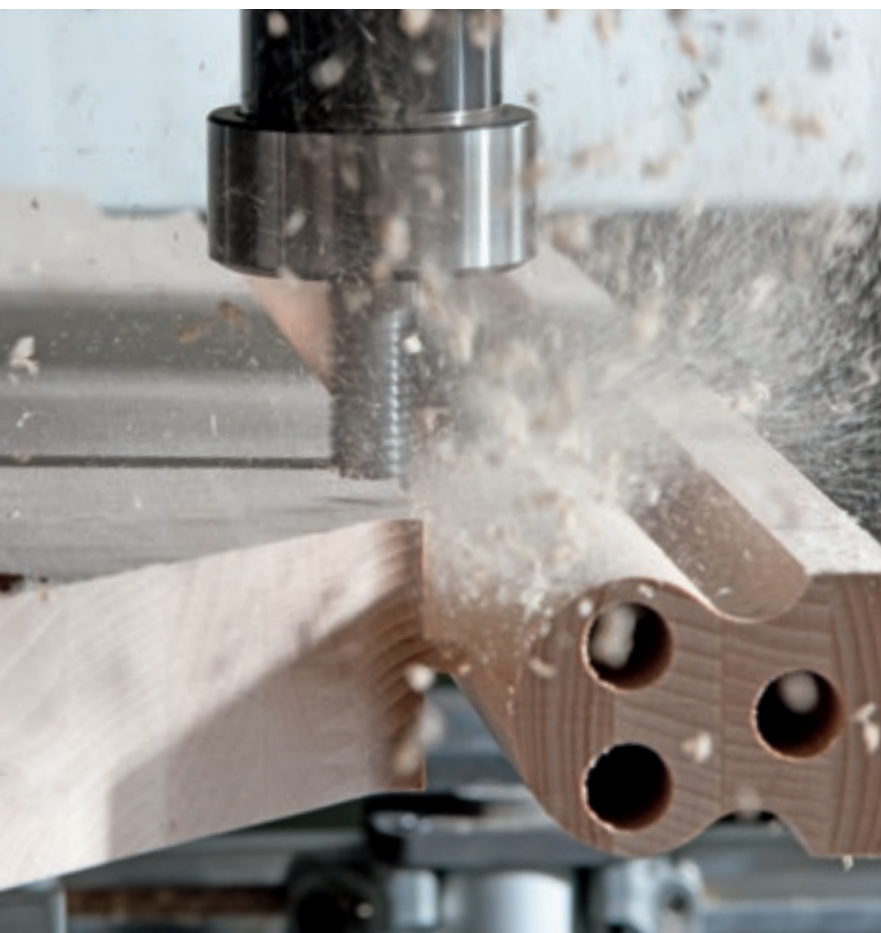
**Revolver tool magazine** with 13 or 16 places.

Up to 28 places, ensuring that the necessary tools are always close at hand. The possibility to switch between the rack magazine and the revolver one speeds up tool change operations, making the machine more productive.

# ABILITY TO PROCESS LARGE SIZES







The entire working area is covered by all the milling and boring units to ensure optimum efficiency. The 245 mm piece passage makes Rover AS 15 extremely flexible and able to process even considerably thick pieces.

# 5 AXIS



## **USER-FRIENDLY TECHNOLOGY**

**The high technological content of the world's most popular machining centres, meets the requirements of wood industry professionals.**

The 5-axis operating head, equipped with 13 kW HSD spindle and with 360° continuous rotation on the vertical axis, enables the machining of complex-shapes ensuring quality, precision and absolute long term reliability.



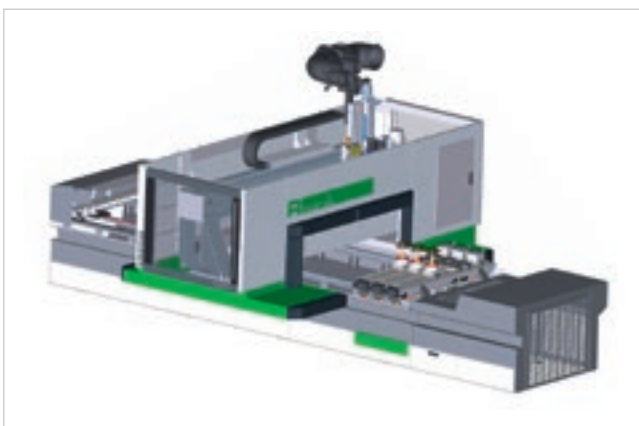


# MAXIMUM OPERATOR SAFETY

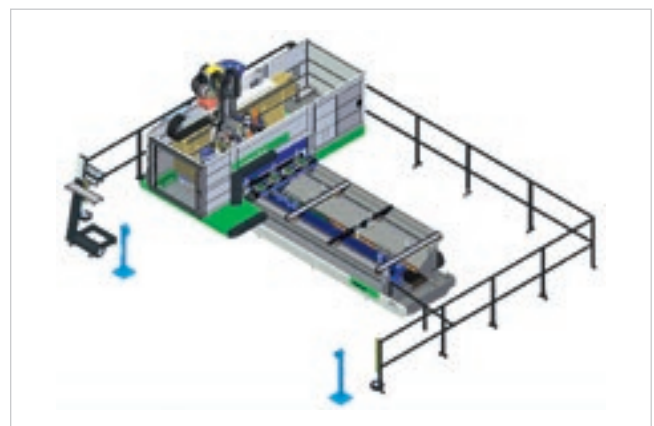
Biesse machines are designed to work in complete safety.



## VARIOUS SOLUTIONS AVAILABLE



With the full bumper solution, the work table can be accessed from every side - this is the most ergonomic solution.



The bumper plus photocells solution, combining productivity with ergonomics.

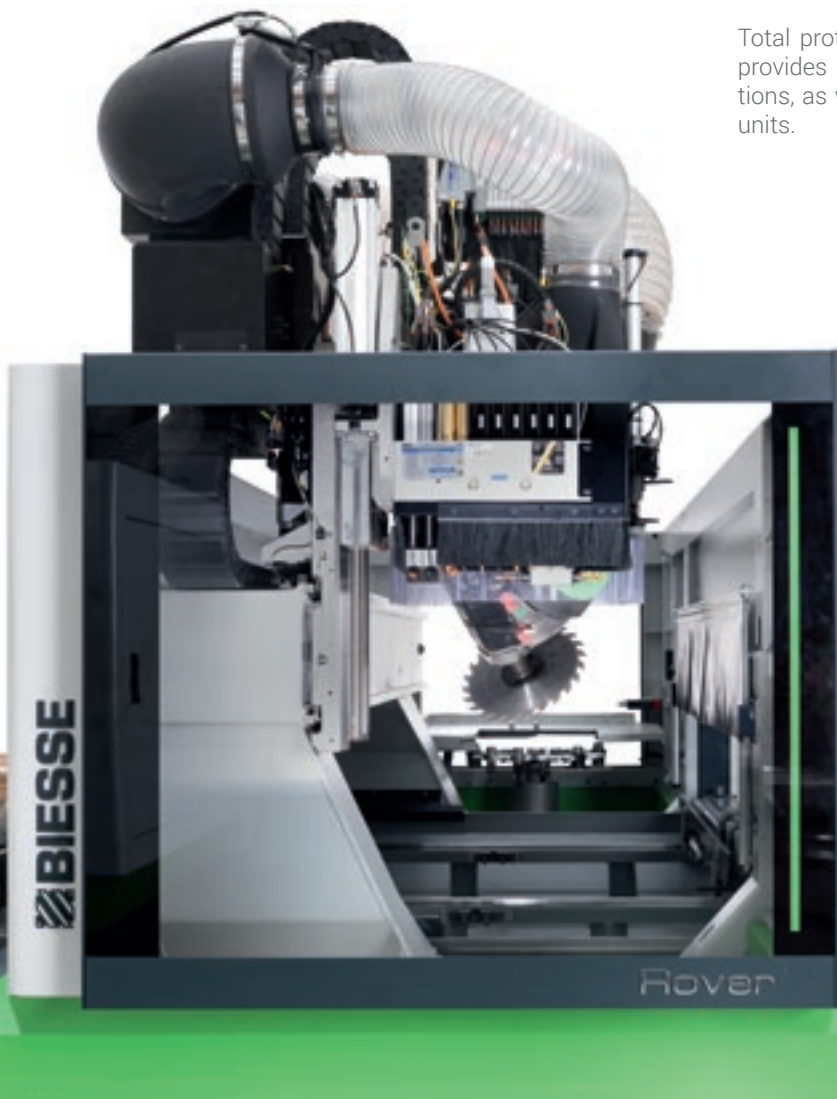
# TECHNOLOGY AT THE SERVICE OF THE USER



New console with Windows real-time operating system and B\_SOLID software interface, including anti-collision system.



Total protection of the working unit. The wide hatch provides maximum visibility of the machining operations, as well as ensuring easy access to the working units.



## MAXIMUM VISIBILITY OF THE WORKING UNIT TO WORK IN COMPLETE SAFETY

LED bar with 5 colours, indicating the machine status in real time, allowing the operator to check the machine status at any point.



# IDENTITY

## PRACTICAL DESIGN

**An innovative yet simple design is the hallmark of Biesse's distinctive identity.**

The transparent polycarbonate reinforced protection door is designed to guarantee maximum visibility for the operator. Fitted with 5-colour LEDs indicating machine status, it ensures that processing phases can be easily and safely monitored.



A close-up photograph of the Rover logo, which consists of the word "ROVER" in a stylized, metallic, three-dimensional font. The logo is mounted on a dark, textured surface. In the background, a vertical green light strip is visible, creating a modern and high-tech atmosphere. The lighting is dramatic, highlighting the metallic sheen of the letters.

ROVER

# OPTIMAL CLEANING OF MACHINED PIECE AND WORK AREA



Motorised conveyor belt for the removal of chips and waste.

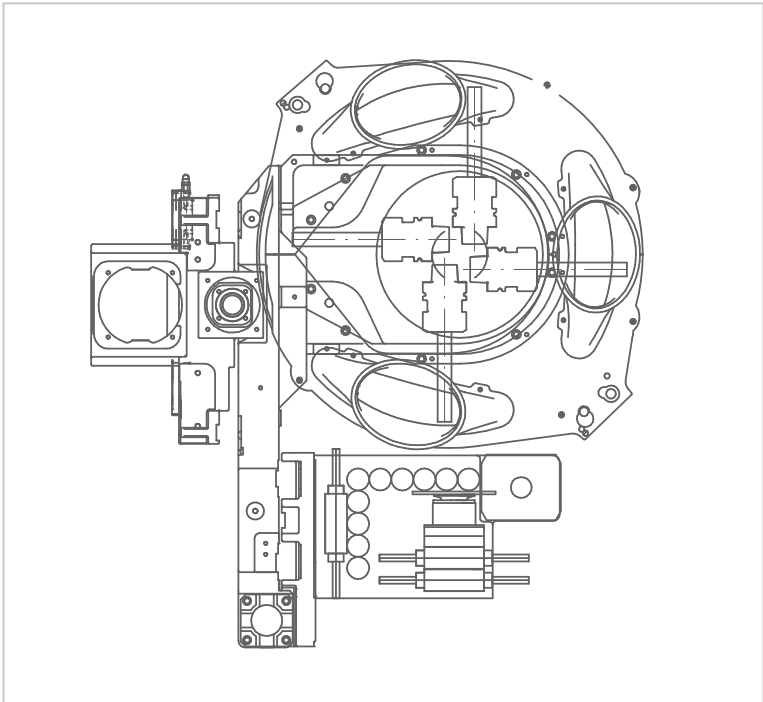


Adjustable suction hood with 19 settings.

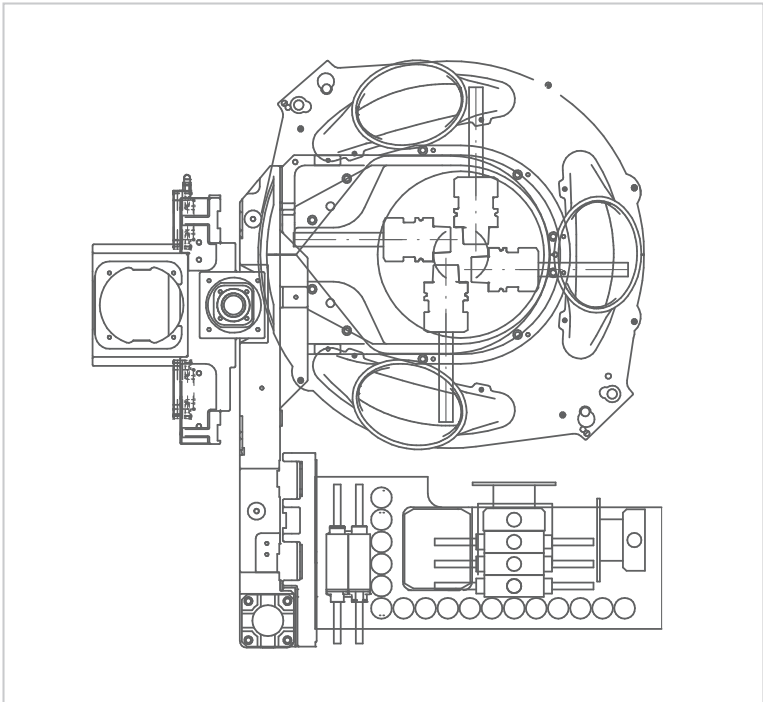
# WORKING UNIT CONFIGURATION



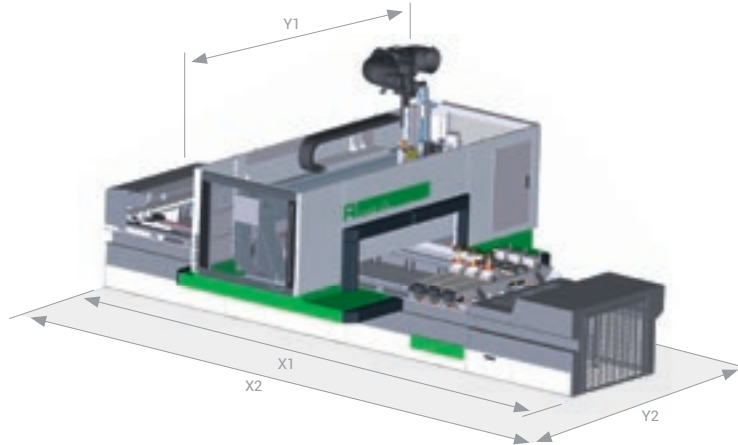
5-axis milling unit with power levels up to 13 kW and boring head BHZ 17 L.



5-axis milling unit with power levels up to 13 kW and boring head BHZ 29 2L.

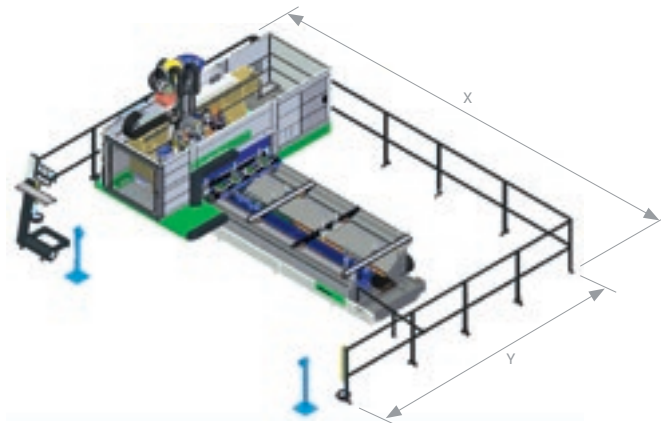


# TECHNICAL SPECIFICATIONS



## FULL BUMPER FOOTPRINT

		Loadable panel	X2	X1	Y2	Y1	H
Rover AS 1532	inch/mm	61/1560	280/7120	266/6750	192/4890	153/3890	102/2600



## BUMPER + PHOTOCELLS FOOTPRINT

		Loadable panel	X	Y	H
Rover AS 1532	inch/mm	61/1560	285/7235	200/5090	102/2600

## WORKING FIELDS

		X	Y	Z
Rover AS 1532	inch/mm	124/3140	61/1560	8-10/200-245

## AXIS SPEED

		X	Y	Vector speed
Full bumper	ft/min-m/min	0.9-25	2.3-60	2.5-65
Bumper + photocells	ft/min-m/min	2.3/0.9 - 60/25	2.3-60	3.3/2.5-85/65

The technical specifications and drawings are non-binding. Some photos may show machines equipped with optional features. Biesse Spa reserves the right to carry out modifications without prior notice.

The correct noise pressure level, measured from the operator's workstation, is: LP = 78 dB (A), during boring. LP = 78.5 dB (A), during milling. The noise power level is: LWA = 93.5 dB, during boring. LWA = 95.5 dB, during milling. Uncertainty factor K = 4 dB. The measurement was carried out in compliance with UNI EN ISO 3746, UNI EN ISO 11202, UNI EN 848-3 and subsequent modifications.

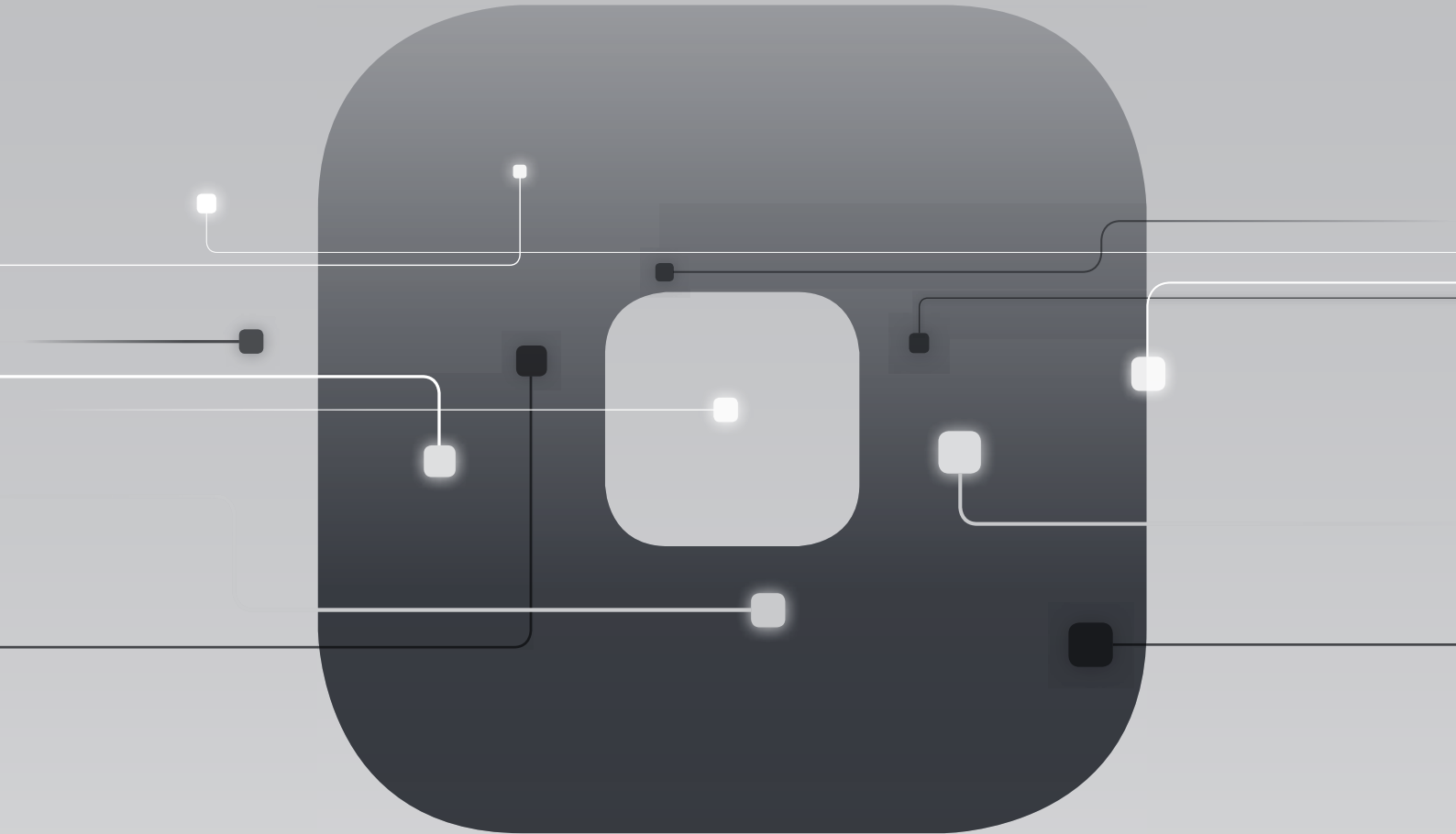
The noise levels shown are emission levels and do not necessarily correspond to safe operation levels. Even though there is a relation between emission levels and exposure levels, this cannot be used reliably to establish whether further precautions are necessary.

The factors determining the noise levels to which the operative personnel are exposed include the length of exposure, the characteristics of the work area, as well as other sources of dust and noise, etc. (i.e. the number of machines and processes concurrently operating in the vicinity). In any case, the information supplied will help the user of the machine to better assess the danger and risks involved.



# SOPHIA

GREATER VALUE FROM MACHINES



The Biesse IoT platform which enables customers to access an extensive range of services to streamline and rationalise their work management processes.

□ SERVICES

□ PROACTIVITY

□ ANALYSIS



# HIGH-TECH BECOMES ACCESSIBLE AND INTUITIVE



**B\_SOLID IS A 3D CAD CAM SOFTWARE PROGRAM THAT SUPPORTS THE PERFORMANCE OF ANY MACHINING OPERATION THANKS TO VERTICAL MODULES DESIGNED FOR SPECIFIC MANUFACTURING PROCESSES.**

- Planning in just a few clicks.
- Simulating machining operations to visualise the piece ahead of manufacturing and have some guidance for the planning phase.
- Virtual prototyping of the piece to avoid collisions and ensure optimal machine equipment.
- Machining operation simulation with a calculation of the execution time.



# CUSTOMER CARE IS WHO WE ARE

**SERVICES** is a new experience for our customers, to offer not just excellent technology but the added value of an increasingly direct connection with the company, the professionals who work there and the experience they embody.



## **ADVANCED DIAGNOSTICS**

Digital channels for remote interaction online 24/7. Always ready to intervene on-site seven days a week.



## **A WORLDWIDE NETWORK**

39 branch offices, over 300 certified agents, retailers in 120 countries, and spare parts warehouses in America, Europe and the Far East.



## **SPARE PARTS AVAILABLE IMMEDIATELY**

Identification, shipping and delivery of spare parts for every need.



## **EVOLVED TRAINING OPPORTUNITIES**

Lots of on-site, online and classroom training modules for personalised growth.



## **VALUABLE SERVICES**

A wide range of services and software packages to help our customers achieve continuous improvements in performance.



## AN EXCELLENT LEVEL OF SERVICE

**+550**

HIGHLY SPECIALISED  
TECHNICIANS AROUND  
THE WORLD, READY TO HELP  
CUSTOMERS WITH EVERY  
NEED

**90%**

OF MACHINE DOWN CASES  
WITH RESPONSE TIME  
UNDER 1 HOUR

**+100**

EXPERTS IN DIRECT  
CONTACT THROUGH  
REMOTE CONNECTIONS  
AND TELESERVICE

**92%**

OF SPARE PARTS ORDERS  
FOR MACHINE DOWNTIME  
PROCESSED WITHIN 24  
HOURS

**+50.000**

ITEMS IN STOCK IN THE  
SPARE PARTS WAREHOUSES

**+5.000**

PREVENTIVE MAINTENANCE  
VISITS

**80%**

OF SUPPORT REQUESTS  
SOLVED ONLINE

**96%**

OF SPARE PARTS ORDERS  
DELIVERED IN FULL ON TIME

**88%**

OF CASES SOLVED WITH  
THE FIRST ON-SITE VISIT

# MADE WITH BIESSE

## FOR A REVOLUTIONARY BUT CONSCIOUS DESIGN

**Conscious design that understands society and skilfully changes it for the better. That's the mission at the heart of Lago, a furniture company founded in 1976 with two simple concepts encoded in its DNA: curiosity and doing things well.**

The common ground for the Biesse Group and Lago, which reinforces the historic partnership between the furniture and carpentry sectors, is the Alliance project: a collection of brands, people and businesses that have decided to join the design company from Veneto on a journey of respect for our planet, ourselves and our future. The historic partnership is borne out by the innovative production plant that Biesse developed with Lago, completely restructuring the manufacturing site. The result is the inclusion of a new Batch One facility within the existing production context, in the spirit of personalisation, speed and flexibility.

The facility has a new square-edging cell with Stream MDS and Winner W1, a new drilling cell with Skipper 130 and a new Selco WNR 650 sizing centre connected to

Winstore 3D K1, which intelligently manages all the material to be processed.

"Including the 'batch one' process bolsters the 'just in time' objective set by Lago, reducing the warehouses needed for semi-finished products and raw materials, as well as reducing scrap material and elevating product quality. What's more, it improves efficiency, reduces time to delivery and offers complete control over the production flow," explains Mauro Pede, Biesse Systems Sales Director.

"The new investments have led us to a new productive flexibility that we will continue to implement, for a renewed production speed and even greater customisation of the range," adds Daniele.

Carlo Bertacco echoes the sentiment, "We are completing a 2,500 m2 expansion, to be even faster and more flexible while maintaining the extremely high level of quality that Lago is known for. It's an equation that relies heavily on technology: I'm referring to one of the particularly valuable machines we purchased from Biesse – a small 'Brema Eko' – not only is it extremely flexible,

it allows us to greatly simplify some steps, since we can process painted pieces without worrying about damaging them.

It's proof that with clear ideas and a precisely organised work flow one can find simple solutions that produce excellent results."

**LAGO BELIEVES  
THAT DESIGN MUST  
BE GUIDED BY MAN,  
BY HUMANITY  
AND EMPATHY**



**Daniele Lago**  
*Founder*



Founded in Italy,  
international native.

We are an international company that manufactures integrated lines and machines to process wood, glass, stone, plastic and composite materials and what will come next.

Thanks to our rooted competence nurtured by an ever-growing worldwide network, we support your business evolution – empowering your imagination.

Master of materials, since 1969.

We simplify your  
manufacturing  
process to make  
the potential of  
any material  
shine.



Join the  
Biesse world.

[biesse.com](https://www.biesse.com)



